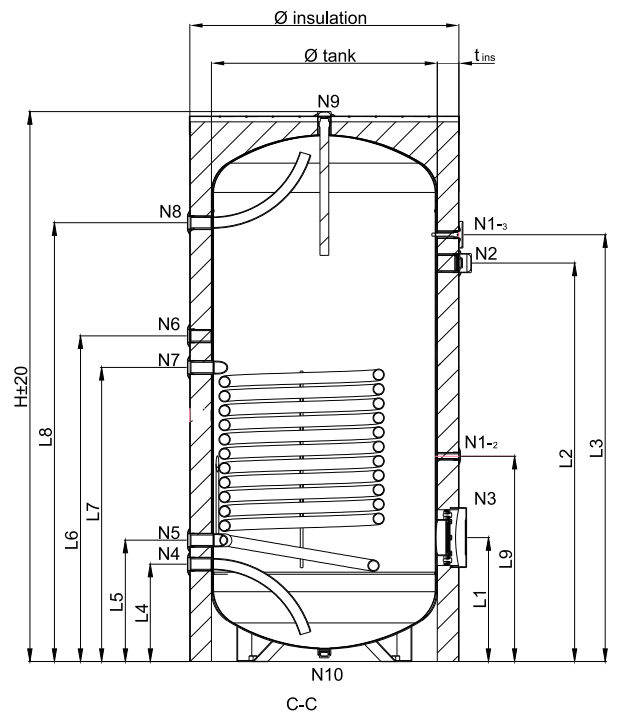
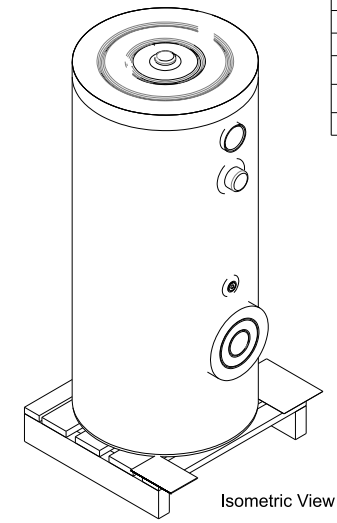


Bottom View



C-C



Isometric View

REVISIONS					
REV NO	REV.	DESCRIPTION	DATE	APPROVED BY	
01	A	Dimensions are updated. Weight information is added.	17.01.2020		
02	B	AO (Sensor, heater positions , 300 lt surface area changed) (L2,L6,L9,L10 removed)	11.03.2020		
02	C	500 Lt coil inlet, circulation, sensor position changed	20.03.2020		

N CODE	DESCRIPTION	CONNECTIONS				
		Volume	100	160	200, 300 (Ø480)	300 (Ø600)
N1-2	Thermometer and Sensor Connections	½"	½"	½"	½"	½"
N1-3	Thermometer and Sensor Connections	½"	½"	½"	½"	½"
N2	Electric Heater Connection	1½"	1½"	1½"	1½"	1½"
N3	Cleaning & Control Flange	4"	4"	4"	4"	4"
N4	Domestic Cold Water Inlet Connection	¾"	¾"	¾"	1"	1"
N5	Serpentine Outlet Connection	1"	1¼"	1¼"	1¼"	1¼"
N6	Recirculation Connection	¾"	¾"	¾"	¾"	¾"
N7	Serpentine Inlet Connection	1"	1¼"	1¼"	1¼"	1¼"
N8	Domestic Hot Water Outlet Connection	¾"	¾"	¾"	1"	1"
N9-1	Magnesium Anode Connections	1¼"	1¼"	1¼"	1¼"	1¼"
N10	Blind Cap	1¼"	1¼"	1¼"	1¼"	1¼"

BASIC SINGLE SERPENTINE WATER HEATER TBS-BASIC DIMENSIONS																	
			Insulation Type	tins (mm)	L1	L2	L3	L4	L5	L6	L7	L8	L9	L11	H	SURFACE AREA of HEAT EXCHANGER (m2)	WEIGHT (kg)
100	Ø380	Ø480	PU	50	325	820	905	230	310	830	710	905	495	1085	1110	0,62	50
160	Ø480	Ø580	PU	50	335	815	910	245	335	730	610	910	470	1110	1135	0,62	62
200	Ø480	Ø580	PU	50	335	1015	1115	245	335	735	610	1115	475	1315	1340	0,68	72
300	Ø480	Ø580	PU	50	335	1450	1640	245	335	875	753	1640	480	1845	1860	1,00	96
300	Ø600	Ø700	PU	50	340	830	960	245	335	815	695	965	515	1195	1220	1,00	89
500	Ø640	Ø740	PU	50	380	1420	1550	290	380	920	800	1550	605	1820	1845	1,50	118

General Tolerances		DESCRIPTION			Drawn By		İ KARAKOÇ		Tolerance		General Tolerance Table				
Linear Dimensions		BASIC SINGLE SERPENTINE WATER HEATER TBS-BASIC 100-500			Check By		A. ORAK								
1 up to 400					±10		Draw No					000103A1			
400 up to 1000					±15		Product No					TBS-BASIC		Reference Document No	
1000 up to 5000					±20		Material							TBS-BASIC	
		Scale		P.Date		Weight									
		Sheet	A4	16.11.2019											

